

Height: 9.3" Width: 20.2" Depth: 11.8"
 (23.6cm) (51.3cm) (30.0cm)



- Soft Heat® wireless server monitoring provides operator staff a dashboard view of all servers on location to assure fresh coffee is always available
- The dashboard shows the age of the coffee and alerts staff when it has expired, or when the server is empty
- The dashboard works with tablets, smart phones and laptops that have WiFi
- Password protected access prevents unauthorized viewing
- All communications are done through the Infusion Soft Heat brewer and access to the site's WiFi system is not needed
- Remote two server docking station for additional satellite coffee serving
- Docking station provides instant power contact to servers
- Soft Heat® stand supplies power to servers, to provide controlled heat for ideal maintenance of flavor and temperature
- Compatible with round BUNN Infusion Series Soft Heat servers
- Durable all stainless steel construction
- Contemporary styling

Agency:

Specifications

Product #: 27875.6201

Finish: Stainless

Legs: 4" Stainless Steel Legs

Additional Features

Electrical & Capacity

| Volts* | Amps | Watts | Cord Attached | Plug Type | 8oz cups/hr 236ml cups/hr | Input H ₂ O Temp. | Phase | # Wires plus Ground | Hertz |
|--------|------|-------|---------------|-----------|------------------------------|---------------------------------|-------|------------------------|-------|
| - | - | - | - | - | - | 60°F (15.5°C) | - | - | - |

*When a BUNN is machine rated 120/208-240V, 120/208V or 120/240V, the higher voltage is the supply voltage needed to power the machine. The 120V is there to supply power to some components rated 120V in the machine, but it is not the supply voltage and would not power the machine if the machine is marked with the before mentioned ratings.

Plumbing Requirements

| PSI | kPa | Fitting Supplied | Water Flow Required (GPM) |
|-----|-----|------------------|---------------------------|
| - | - | - | - |

CAD Drawings

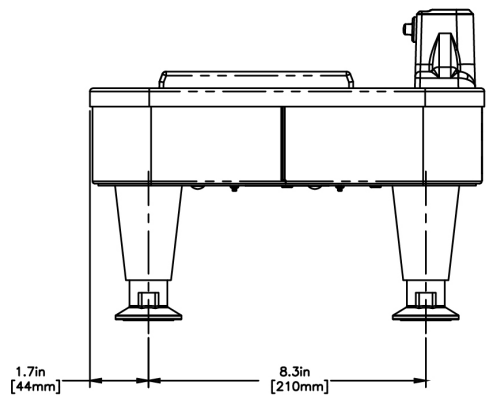
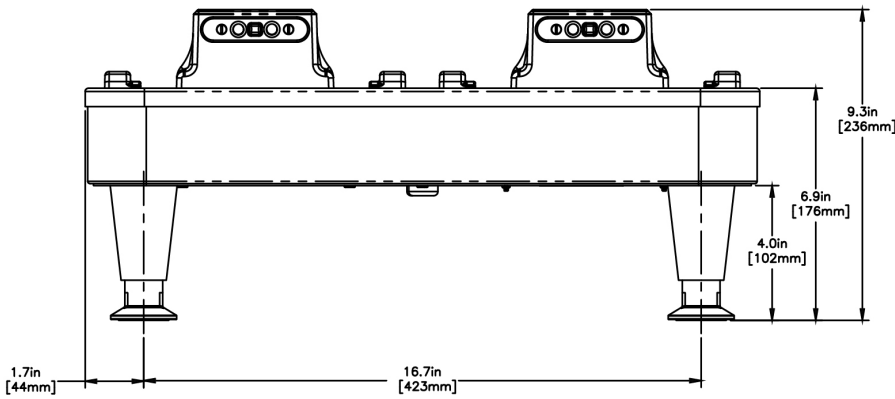
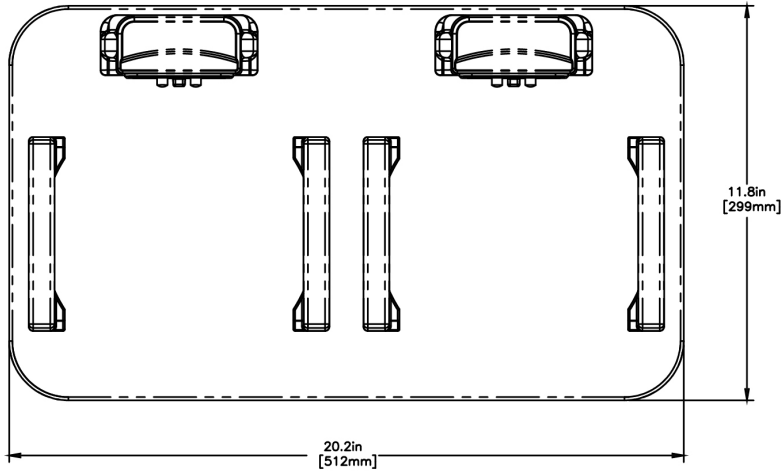
| 2D | Revit | KLC |
|----|-------|-----|
| ● | | |

WARNING:



BUNN® reserves the right to change specifications and product design without notice. Such revisions do not entitle the buyer to corresponding changes, improvements, additions or replacements for previously purchased equipment. For most current specifications and other info visit bunn.com.

Last Updated:
01/26/2022



| | Unit | | | Shipping | | | | |
|---------|---------|----------|----------|----------|-------|-------|--------|--------|
| | Height | Width | Depth | Height | Width | Depth | Weight | Volume |
| English | 9.3 in. | 20.2 in. | 11.8 in. | - | - | - | - | - |
| Metric | 23.6 cm | 51.3 cm | 30.0 cm | - | - | - | - | - |



BUNN® reserves the right to change specifications and product design without notice. Such revisions do not entitle the buyer to corresponding changes, improvements, additions or replacements for previously purchased equipment. For most current specifications and other info visit bunn.com.

Last Updated:
01/26/2022

Related Products & Accessories:(27875.6201)



ICB TWIN SH, 120/240V
SST

Product #: 51200.6100



ICB TWIN SH, 120/240V
BLK/SST

Product #: 51200.6101



KIT, DRIP TRAY INF
TWIN SH

Product #: 53452.0000



KIT, DRIP TRAY SINGLE
SH

Product #: 53452.0001



BUNN® reserves the right to change specifications and product design without notice. Such revisions do not entitle the buyer to corresponding changes, improvements, additions or replacements for previously purchased equipment. For most current specifications and other info visit bunn.com.

Last Updated:
01/26/2022

Serving & Holding Options: (27875.6201)

Serving and Holding selections are currently unavailable. Please contact your sales representative to find out more information.



BUNN® reserves the right to change specifications and product design without notice. Such revisions do not entitle the buyer to corresponding changes, improvements, additions or replacements for previously purchased equipment. For most current specifications and other info visit bunn.com.

Last Updated:
01/26/2022