

Height: 9.3" Width: 10.2" Depth: 11.8"  
 (23.6cm) (25.9cm) (30.0cm)

- Remote one server docking station for additional satellite coffee serving
- Docking station provides instant power contact to servers
- Soft Heat® stand supplies power to servers, to provide controlled heat for ideal maintenance of flavor and temperature
- Compatible with round BUNN Infusion Series Soft Heat servers
- Durable all stainless steel construction
- Contemporary styling
- PROP 65 Warning Decal included in packaging with equipment



Agency:

## Specifications

**Product #:** 27825.6200

**Finish:** Stainless

**Legs:** 4" Stainless Steel Legs

## Additional Features

## Electrical & Capacity

| Volts* | Amps | Watts | Cord Attached | Plug Type | 8oz cups/hr<br>236ml cups/hr | Input H <sup>2</sup> O<br>Temp. | Phase | # Wires<br>plus Ground | Hertz |
|--------|------|-------|---------------|-----------|------------------------------|---------------------------------|-------|------------------------|-------|
| -      | -    | -     | -             | -         | -                            | 60°F (15.5°C)                   | -     | -                      | -     |

\*When a BUNN is machine rated 120/208-240V, 120/208V or 120/240V, the higher voltage is the supply voltage needed to power the machine. The 120V is there to supply power to some components rated 120V in the machine, but it is not the supply voltage and would not power the machine if the machine is marked with the before mentioned ratings.

## Plumbing Requirements

| PSI | kPa | Fitting Supplied | Water Flow Required (GPM) |
|-----|-----|------------------|---------------------------|
| -   | -   | -                | -                         |

## CAD Drawings

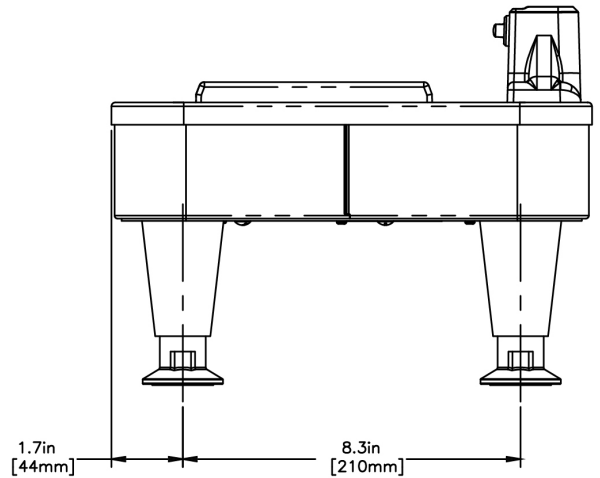
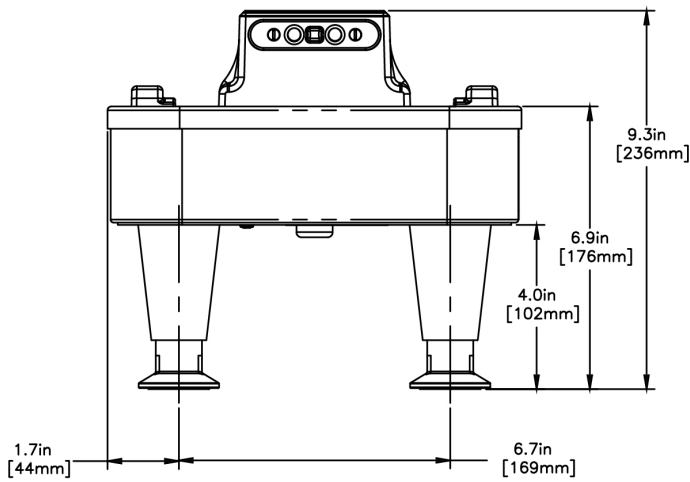
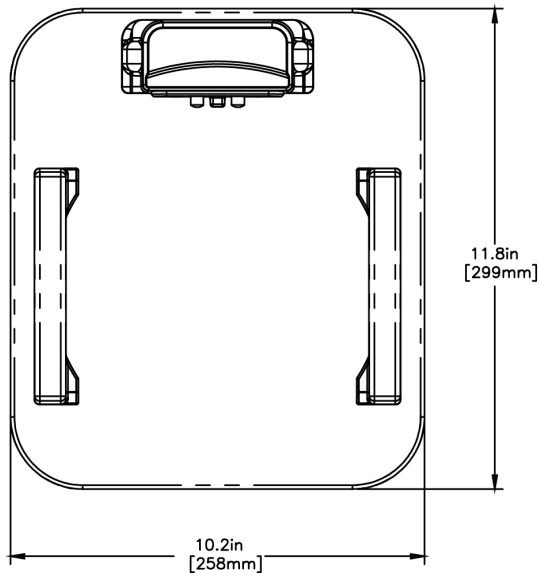
| 2D | Revit | KLC |
|----|-------|-----|
| ●  |       |     |

**WARNING:**



BUNN® reserves the right to change specifications and product design without notice. Such revisions do not entitle the buyer to corresponding changes, improvements, additions or replacements for previously purchased equipment. For most current specifications and other info visit [bunn.com](http://bunn.com).

Last Updated:  
01/26/2022



|         | Unit    |          |          | Shipping |       |       |        |        |
|---------|---------|----------|----------|----------|-------|-------|--------|--------|
|         | Height  | Width    | Depth    | Height   | Width | Depth | Weight | Volume |
| English | 9.3 in. | 10.2 in. | 11.8 in. | -        | -     | -     | -      | -      |
| Metric  | 23.6 cm | 25.9 cm  | 30.0 cm  | -        | -     | -     | -      | -      |



BUNN® reserves the right to change specifications and product design without notice. Such revisions do not entitle the buyer to corresponding changes, improvements, additions or replacements for previously purchased equipment. For most current specifications and other info visit [bunn.com](http://bunn.com).

Last Updated:  
01/26/2022

# Related Products & Accessories:(27825.6200)



SH SERVER, 1.5G/5.7L  
INF SERIES

Product #: 27850.0200



ICB TWIN SH, 120/240V  
SST

Product #: 51200.0100



ICB TWIN SH, 120/240V  
BLK/SST

Product #: 51200.0101



KIT, DRIP TRAY INF  
TWIN SH

Product #: 53452.0000



KIT, DRIP TRAY SINGLE  
SH

Product #: 53452.0001



BUNN® reserves the right to change specifications and product design without notice. Such revisions do not entitle the buyer to corresponding changes, improvements, additions or replacements for previously purchased equipment. For most current specifications and other info visit [bunn.com](http://bunn.com).

Last Updated:  
01/26/2022

## Serving & Holding Options: (27825.6200)

\*Serving and Holding selections are currently unavailable. Please contact your sales representative to find out more information.\*



BUNN® reserves the right to change specifications and product design without notice. Such revisions do not entitle the buyer to corresponding changes, improvements, additions or replacements for previously purchased equipment. For most current specifications and other info visit [bunn.com](http://bunn.com).

Last Updated:  
01/26/2022