


# CWTF-TWIN-TC

Height: 17.2" (43.7cm) Width: 16.0" (40.6cm) Depth: 22.5" (57.2cm)

- Accepts thermal carafe up to 8.5" (21.6 cm) tall
- All stainless steel construction
- Hot water faucet
- Pourover feature
- SplashGard® funnel deflects hot liquids away from the hand
- Use in quick turn environments where high quality coffee is continuously refreshed
- Servers not included unless otherwise noted



 Server(s) sold separately

Agency:

## Specifications

**Product #:** 23400.6047

**Faucet:** Upper

**Water Access:** Plumbed

**Finish:** Stainless

**Funnel:** Stainless Steel

## Additional Features

## Electrical & Capacity

Volts*	Amps	Watts	Cord Attached	Plug Type	8oz cups/hr 236ml cups/hr	Input H <sup>2</sup> O Temp.	Phase	# Wires plus Ground	Hertz
-	-	-	-	-	240	60°F (15.5°C)	-	-	-

\*When a BUNN is machine rated 120/208-240V, 120/208V or 120/240V, the higher voltage is the supply voltage needed to power the machine. The 120V is there to supply power to some components rated 120V in the machine, but it is not the supply voltage and would not power the machine if the machine is marked with the before mentioned ratings.

## Plumbing Requirements

PSI	kPa	Fitting Supplied	Water Flow Required (GPM)
20-90	138-621	1/4" Male Flare Fitting	-

## CAD Drawings

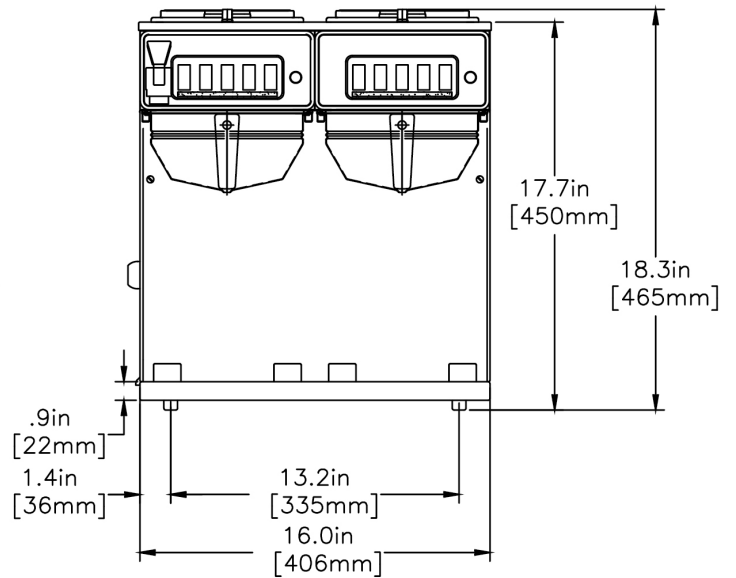
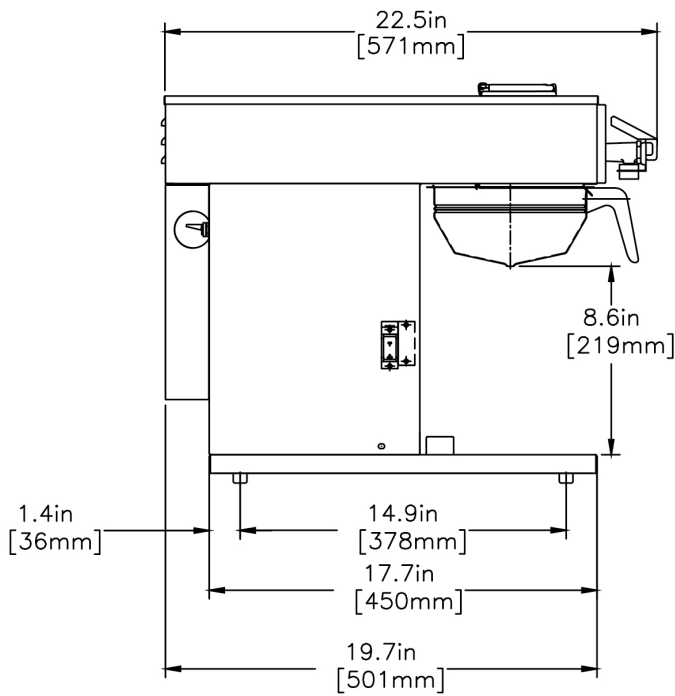
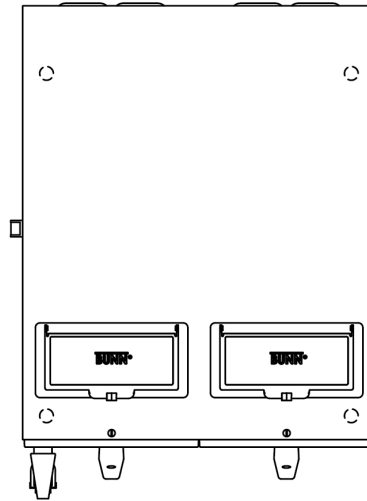
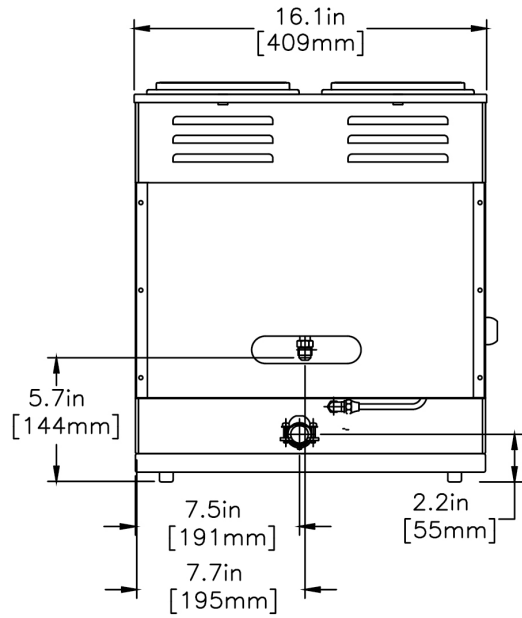
2D	Revit	KLC
●		

 **WARNING:**



BUNN® reserves the right to change specifications and product design without notice. Such revisions do not entitle the buyer to corresponding changes, improvements, additions or replacements for previously purchased equipment. For most current specifications and other info visit [bunn.com](http://bunn.com).

**Last Updated:**  
12/15/2022



Unit			Shipping					
	Height	Width	Depth	Height	Width	Depth	Weight	Volume
English	17.2 in.	16.0 in.	22.5 in.	-	-	-	-	-
Metric	43.7 cm	40.6 cm	57.2 cm	-	-	-	-	-



BUNN® reserves the right to change specifications and product design without notice. Such revisions do not entitle the buyer to corresponding changes, improvements, additions or replacements for previously purchased equipment. For most current specifications and other info visit [bunn.com](http://bunn.com).

Last Updated:  
12/15/2022

## Related Products & Accessories: CWTF-TWIN-TC(23400.6047)



FUNNEL W/DECAL,PPK  
NAR BLK(SM)

Product #: 02774.0011



FUNNEL W/DECAL,PPK  
NAR BLK(LG)

Product #: 04274.0012



FILTERS,REG/1M

Product #: 20115.6000



FUNNEL ASSY, SST-BLK  
HDL(7.12)

Product #: 20216.0000



FUNNEL ASSY, SST-PP  
BLK HNDL

Product #: 29151.0000



FUNNEL ASSY,SST-PP  
ORANGE HDL

Product #: 29151.0001



WATER FILTER  
SYSTEM,EQ-17-TL

Product #: 30200.1000



SYSTEM, WEQ-10(1.5)5L

Product #: 56000.0024



CARTRIDGE, WEQ-10  
(1.5)5L

Product #: 56000.0121



CARTRIDGE, WEQ-10.3  
(1.67)5L

Product #: 56000.0137



BUNN® reserves the right to change specifications and product design without notice. Such revisions do not entitle the buyer to corresponding changes, improvements, additions or replacements for previously purchased equipment. For most current specifications and other info visit [bunn.com](http://bunn.com).

Last Updated:  
12/15/2022

# Serving & Holding Options: CWTF-TWIN-TC(23400.6047)



ACC, 1.9L THERMAL  
CARAFE SST

Product #: 18022.6002



THERMAL CARAFE, BLK  
1.9L 12PK

Product #: 36029.0000



THERMAL CARAFE, BLK  
1.83 L 1PK

Product #: 36029.0001



THERMAL CARAFE, ORN  
1.9L 12PK

Product #: 36252.0000



THERMAL CARAFE, ORN  
1.9L 1PK

Product #: 36252.0001



CARAFE, SST 1.9L SHRT  
BLK 1

Product #: 40163.0000



BUNN® reserves the right to change specifications and product design without notice. Such revisions do not entitle the buyer to corresponding changes, improvements, additions or replacements for previously purchased equipment. For most current specifications and other info visit [bunn.com](http://bunn.com).

Last Updated:  
12/15/2022