


VP17-1 (1 Lower Warmer)

Height: 17.3" Width: 8.4" Depth: 18.8"
(43.9cm) (21.3cm) (47.8cm)

- All stainless steel construction
- Pourover brewer requires no plumbing – completely portable
- SplashGard® funnel deflects hot liquids away from the hand
- Servers not included unless otherwise noted

NO IMAGE
AVAILABLE

Agency:

 Server(s) sold separately

Specifications

Product #: 13300.6001

Warmers: One Lower

Water Access: Not Plumbed

Finish: Stainless

Funnel: Black Plastic

Additional Features

Electrical & Capacity

Volts*	Amps	Watts	Cord Attached	Plug Type	8oz cups/hr 236ml cups/hr	Input H ² O Temp.	Phase	# Wires plus Ground	Hertz
-	-	-	-	-	61	60°F (15.5°C)	-	-	-

*When a BUNN is machine rated 120/208-240V, 120/208V or 120/240V, the higher voltage is the supply voltage needed to power the machine. The 120V is there to supply power to some components rated 120V in the machine, but it is not the supply voltage and would not power the machine if the machine is marked with the before mentioned ratings.

Plumbing Requirements

PSI	kPa	Fitting Supplied	Water Flow Required (GPM)
-	-	-	-

CAD Drawings

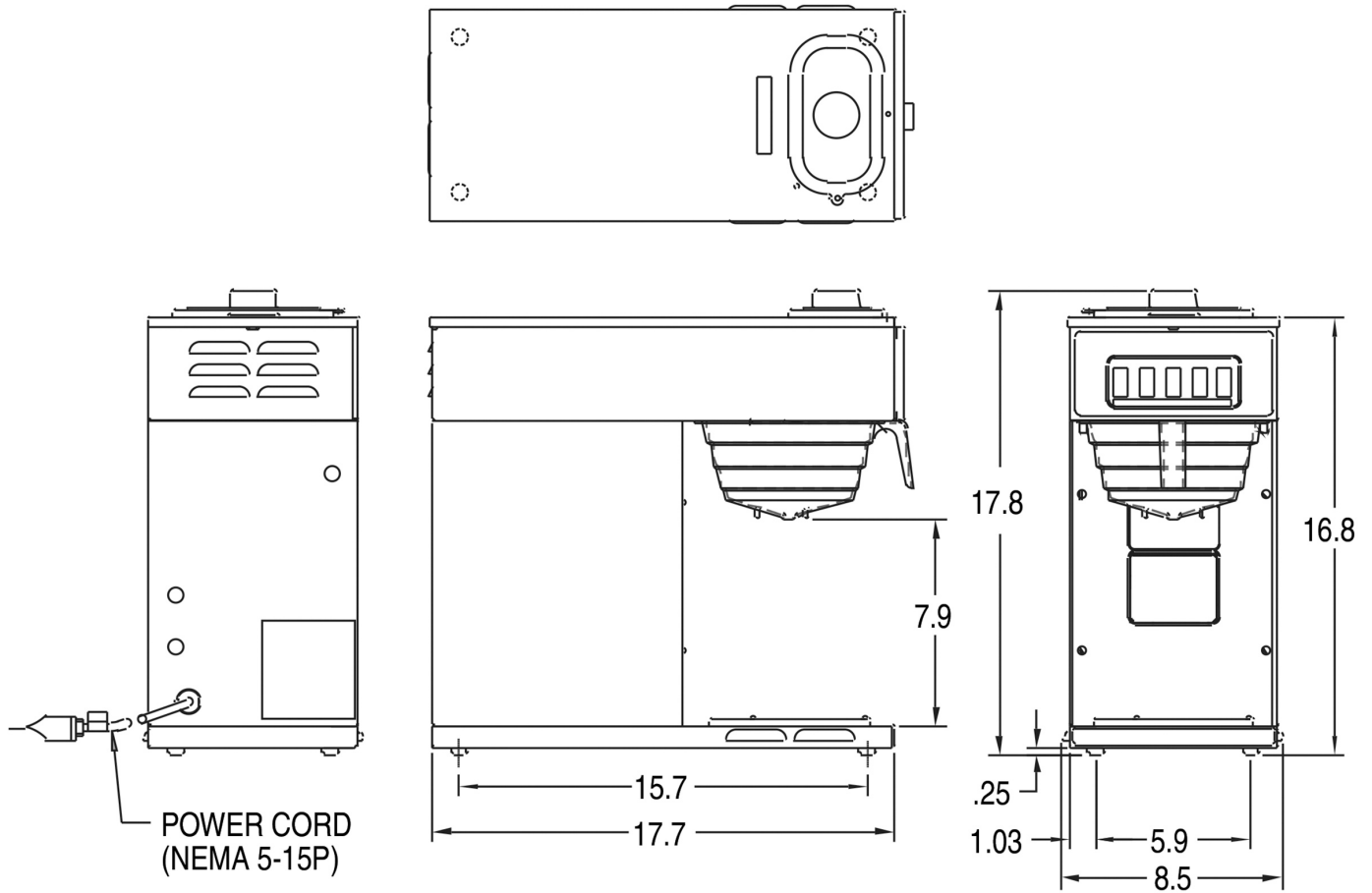
2D	Revit	KLC
●		

 **WARNING:**



BUNN® reserves the right to change specifications and product design without notice. Such revisions do not entitle the buyer to corresponding changes, improvements, additions or replacements for previously purchased equipment. For most current specifications and other info visit bunn.com.

Last Updated:
12/15/2022



	Unit			Shipping				
	Height	Width	Depth	Height	Width	Depth	Weight	Volume
English	17.3 in.	8.4 in.	18.8 in.	23.8 in.	12.5 in.	26.5 in.	-	4.566 ft ³
Metric	43.9 cm	21.3 cm	47.8 cm	60.3 cm	31.8 cm	67.4 cm	-	0.129 m ³



BUNN® reserves the right to change specifications and product design without notice. Such revisions do not entitle the buyer to corresponding changes, improvements, additions or replacements for previously purchased equipment. For most current specifications and other info visit bunn.com.

Last Updated:
12/15/2022

Related Products & Accessories:VP17-1 (1 Lower Warmer)(13300.6001)



FUNNEL W/DECAL,PPK
NAR BLK(SM)

Product #: 02774.0011



FUNNEL W/DECAL,PPK
NAR BLK(LG)

Product #: 04274.0012



STOVE,WX2 120V/200W

Product #: 06310.6000



STOVE,WX1 120V/100W

Product #: 06450.6000



FILTERS,REG/1M

Product #: 20115.6000



FUNNEL ASSY, SST-BLK
HDL(7.12)

Product #: 20216.0000



FUNNEL ASSY, SST-PP
BLK HDNL

Product #: 29151.0000



FUNNEL ASSY,SST-PP
ORANGE HDL

Product #: 29151.0001



BUNN® reserves the right to change specifications and product design without notice. Such revisions do not entitle the buyer to corresponding changes, improvements, additions or replacements for previously purchased equipment. For most current specifications and other info visit bunn.com.

Last Updated:
12/15/2022

Serving & Holding Options: VP17-1 (1 Lower Warmer)(13300.6001)



EASY POUR®,(BLK) 1/CS
Product #:06100.0101



EASY POUR®,(BLK) 2/CS
Product #:06100.0102



EASY POUR®,(BLK) 3/CS
Product #:06100.0103



EASY POUR®,(BLK) 6/CS
Product #:06100.0106



EASY POUR®,(BLK) 12/CS
Product #:06100.0112



EASY POUR®,(BLK) 24/CS
Product #:06100.0124



EASY POUR®,(ORN) 1/CS
Product #:06101.0101



EASY POUR®,(ORN) 2/CS
Product #:06101.0102



EASY POUR®,(ORN) 3/CS
Product #:06101.0103



EASY POUR®,(ORN) 24/CS
Product #:06101.0124



DECANTER, GLASS-BLK
12C 24/CS
Product #:42400.0024



DECANTER, GLASS-BLK
12CUP 1PK
Product #:42400.0101



DECANTER, GLASS-BLK
12C 3/CS
Product #:42400.0103



DECANTER, GLASS-ORN
12C 24/CS
Product #:42401.0024



DECANTER, GLASS-ORN
12 CUP 1PK
Product #:42401.0101



DECANTER, GLASS-ORN
12C 3/CS
Product #:42401.0103



BUNN® reserves the right to change specifications and product design without notice. Such revisions do not entitle the buyer to corresponding changes, improvements, additions or replacements for previously purchased equipment. For most current specifications and other info visit bunn.com.

Last Updated:
12/15/2022