

# WX2 Warmer

Height: 2.5" Width: 14.5" Depth: 7.0"  
(6.4cm) (36.8cm) (17.8cm)

•

\*Feature points are currently unavailable.\*



Agency:

## Specifications

Product #: 06310.6000

Finish: Stainless

## Additional Features

## Holding Capacity

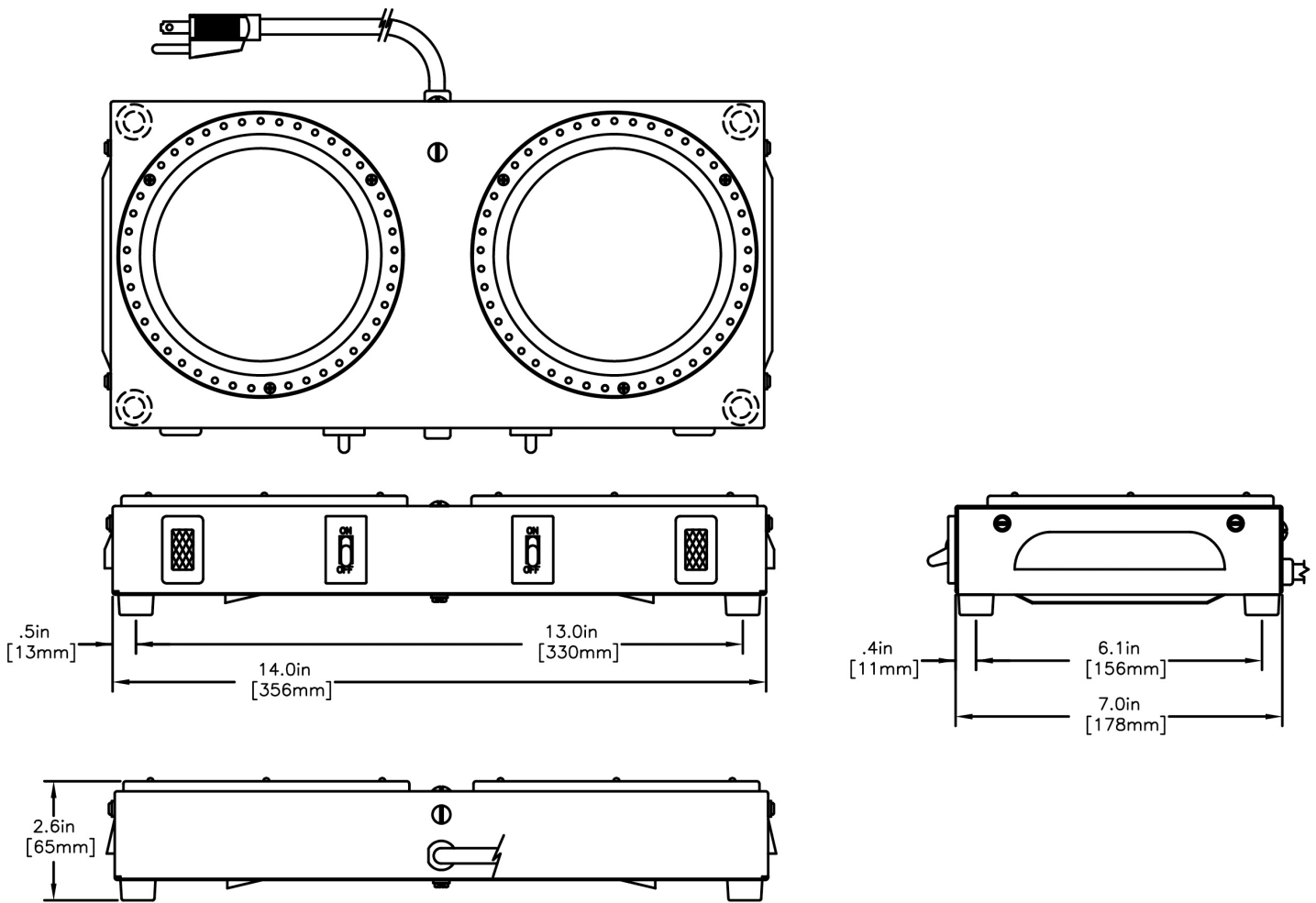
English	Metric
-	-

 WARNING:



BUNN® reserves the right to change specifications and product design without notice. Such revisions do not entitle the buyer to corresponding changes, improvements, additions or replacements for previously purchased equipment. For most current specifications and other info visit [bunn.com](http://bunn.com).

Last Updated:  
01/26/2022



	Unit			Shipping				
	Height	Width	Depth	Height	Width	Depth	Weight	Volume
English	2.5 in.	14.5 in.	7.0 in.	-	-	-	-	-
Metric	6.4 cm	36.8 cm	17.8 cm	-	-	-	-	-



BUNN® reserves the right to change specifications and product design without notice. Such revisions do not entitle the buyer to corresponding changes, improvements, additions or replacements for previously purchased equipment. For most current specifications and other info visit [bunn.com](http://bunn.com).

Last Updated:  
01/26/2022

## Related Products & Accessories:WX2 Warmer(06310.6000)



DECANTER, EASY  
POUR® BLACK-CANADA  
1/CS

Product #: 06100.0201



DECANTER, EASY  
POUR® BLACK-CANADA  
3/CS

Product #: 06100.0203



DECANTER,EASY  
POUR® REG 24/CS

Product #: 06100.6224



DECANTER, EASY POUR  
ORANGE-CANADA 1/CS

Product #: 06101.0201



DECANTER, EASY POUR  
ORANGE-CANADA 3/CS

Product #: 06101.0203



DECANTER,EASY POUR  
DECAF CS/24#

Product #: 06101.6224



RETAIL,NCD 10 CUP  
DECANTER-BLACK

Product #: 20424.6000

DECANTER,GLASS-BLK  
12C 24/CS

Product #: 42400.7024



DECANTER,GLASS-BLK  
12C 3/CS ENG/FR

Product #: 42400.7103

DECANTER,GLASS-BLK  
12C 3/CS

Product #: 42400.7203

DECANTER,GLASS-ORN  
12C 24/CS

Product #: 42401.7024



DECANTER,GLASS-ORN  
12C 3/CS ENG/FR

Product #: 42401.7103

DECANTER,GLASS-ORN  
12C 3/CS

Product #: 42401.7203



BUNN® reserves the right to change specifications and product design without notice. Such revisions do not entitle the buyer to corresponding changes, improvements, additions or replacements for previously purchased equipment. For most current specifications and other info visit [bunn.com](http://bunn.com).

Last Updated:  
01/26/2022

## Model Compatibility: WX2 Warmer(06310.6000)

\*Serving and Holding selections are currently unavailable. Please contact your sales representative to find out more information.\*



BUNN® reserves the right to change specifications and product design without notice. Such revisions do not entitle the buyer to corresponding changes, improvements, additions or replacements for previously purchased equipment. For most current specifications and other info visit [bunn.com](http://bunn.com).

Last Updated:  
01/26/2022